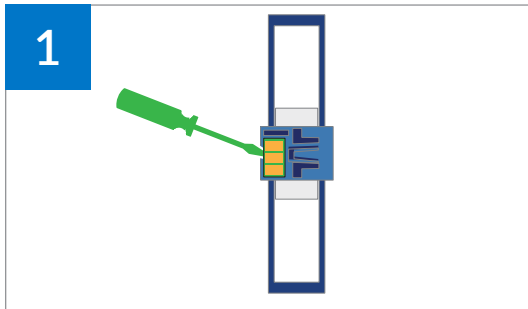


Recycling Instructions

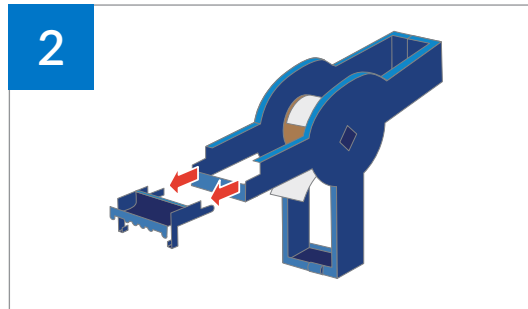


Certis® C1-30 Wristband Carrier

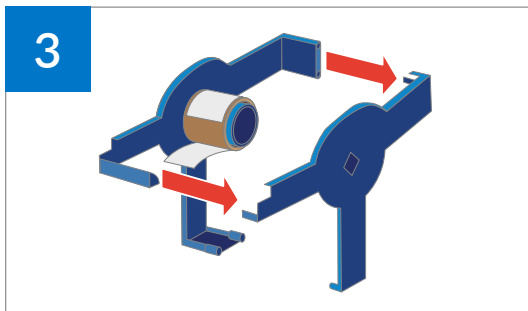
The Certis® C1-30 carrier is made of recyclable Type 2 HDPE plastic. Once you remove the chip, you can recycle it through your facility's existing plastic recycling program.



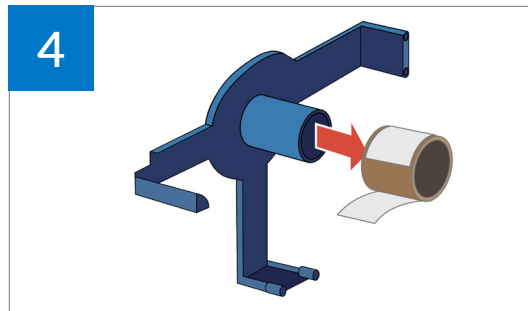
Pop the chip out from the bottom of the carrier



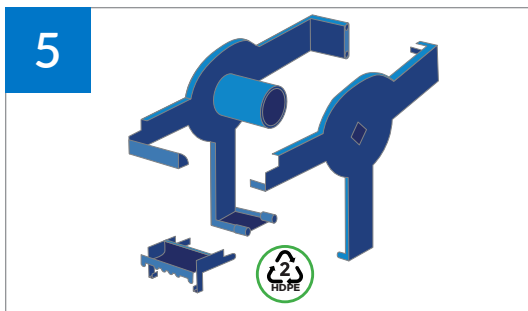
Remove the label and pop off the carrier's end clasp



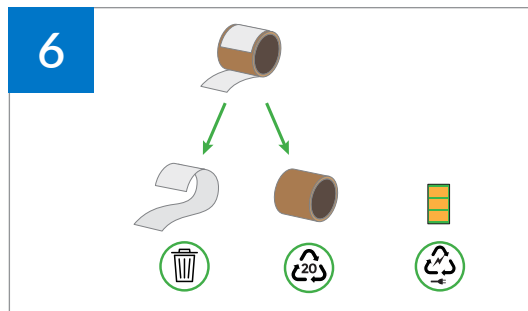
Undo the three snaps and pull the carrier apart – it will take a little force to separate the pieces



Remove the core from the carrier (separate the remaining wristband(s) from the core)



Recycle the carrier through your existing plastic recycling program



Throw away the remaining wristband(s) and recycle the cardboard core. Disposal of the chip depends on your region (it could be trash or treated like electronic waste)

Contact us today for more information
800.435.4242 | pdchealthcare.com