

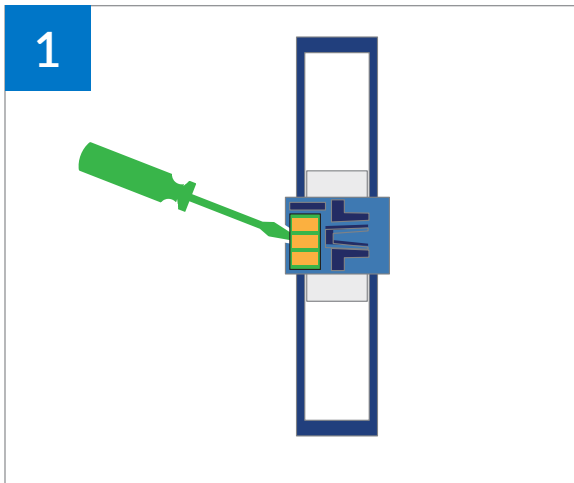
# Disassembly & Reassembly Instructions



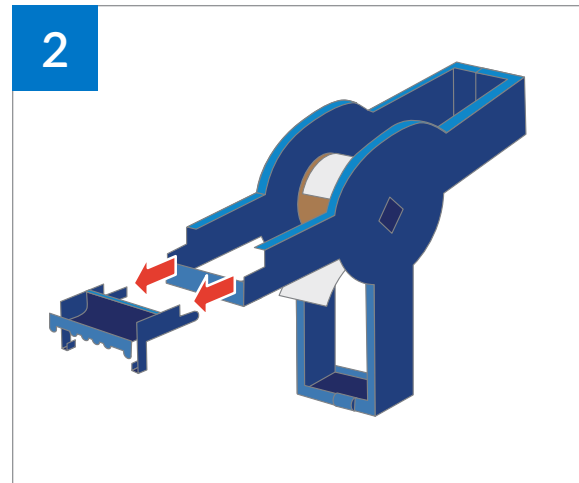
## Certis® C1-30 Wristband Carrier

### DISASSEMBLY

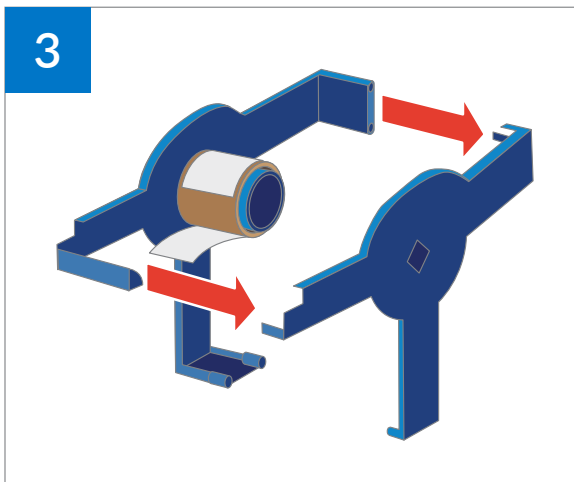
The Certis® C1-30 wristband carriers are easily disassembled for recycling.



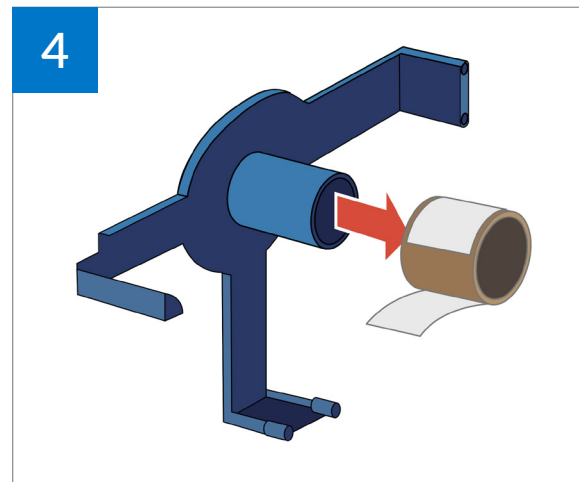
Pop the chip out from the bottom of the carrier



Remove the label and pop off the carrier's end clasp



Undo the three snaps and pull the carrier apart – it will take a little force to separate the pieces



Remove the core from the carrier (separate the remaining wristband(s) from the core)

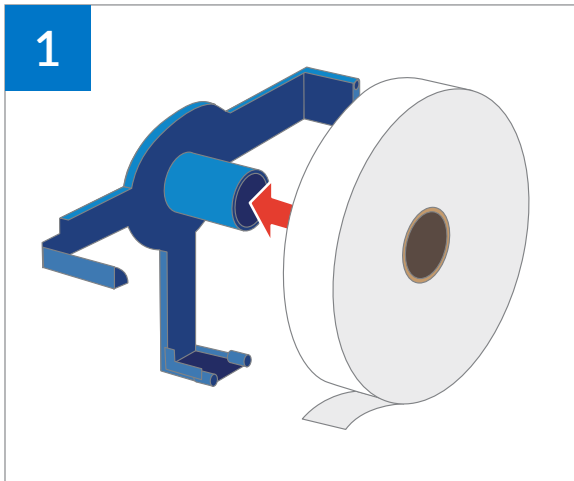
# Disassembly & Reassembly Instructions



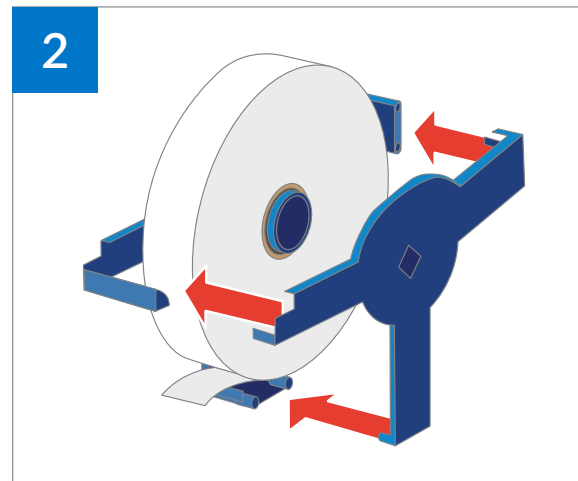
## Certis® C1-30 Wristband Carrier

### RESASSMBLY

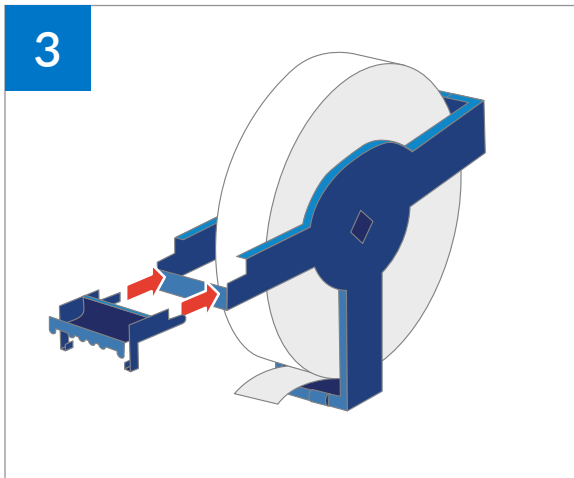
While the Certis® C1-30 wristband carriers are durable and designed to survive a counter-height fall, they are also designed to pop back together easily if they do break apart.



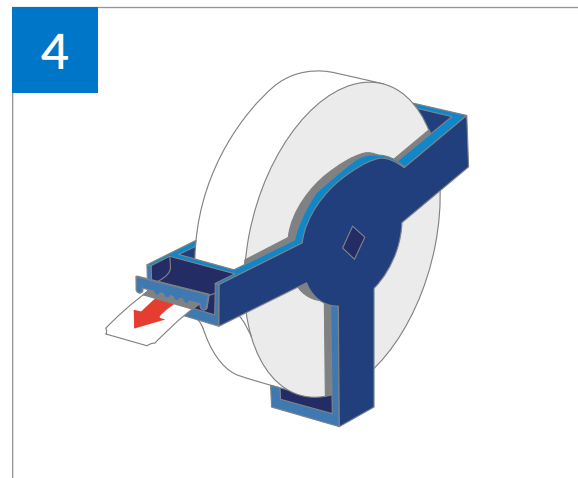
1 Place the roll onto one side of the carrier



2 Snap the two plastic carrier pieces together around the roll of wristbands



3 Attach the carrier's end clasp



4 Feed the wristband through the end clasp

Contact us today for more information  
800.435.4242 | [pdchealthcare.com](http://pdchealthcare.com)